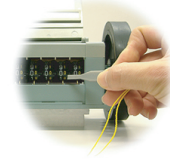


EP SERIES

PRESET LENGTH MEASURING COUNTER



DESCRIPTION

The EP Series is a robust built length measuring preset counter. A built in microswitch is actuated when the preset value is reached and can be connected to an output device, such as buzzer, light post or stop switch of a machine. This meter can be used with various length measuring applications for various materials such as paper, textiles, steel sheet, etc.

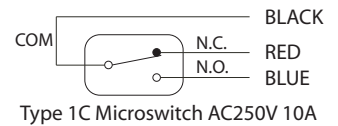
MODELS

Models	Digits	Rotation Direction	Resolution	Count Speed (max.)	Starting Torque	Display	Weight
EP-3:10-5 (I)	5	Clockwise	0.1 m	50 meter/min	0.020N m (204gf-cm)	Count : White on Black Wheel 4.3 x 2.5mm Setting: Yellow on Black Wheel 3.0 x 1.6mm	1020g
EP-3:10-5 (II)		Anti-Clockwise					

Operating Temperature	-5°C - +40°C	Operating Humidity	85%RH maximum	Remarks	Non-Freezing, Non-Condensing
-----------------------	--------------	--------------------	---------------	---------	------------------------------

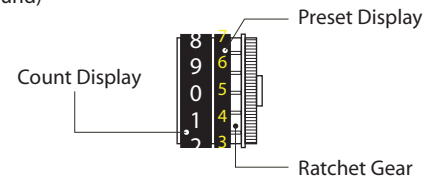
WIRING

This counter has a built-in Microswitch. The leadwires of these can be seen at the back side of the counter. The diagram on the right shows the corresponding microswitch connection with respect to the leadwire colors.

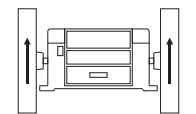
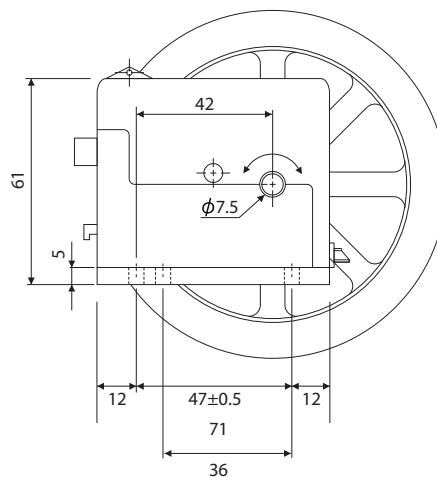
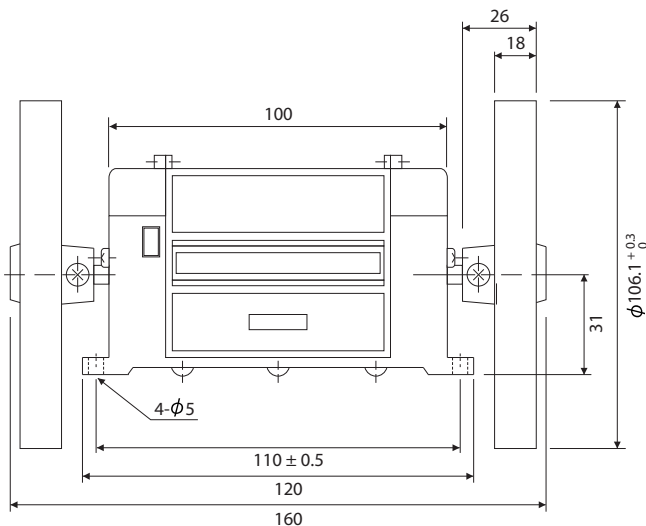


SETTING THE PRESET VALUE

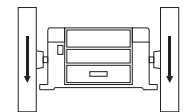
1. Reset the counter by pushing the reset button. Make sure that the Count Display (White on Black background) is positioned to all "0".
2. Lift the cover of the counter.
3. To set the preset value, use the included plastic lever to move the Ratchet Gear by sliding it upward or downward.
4. The desired preset value, as displayed by the Preset Display, of the particular digit being set should be aligned with the "0" of the Count Display. See diagram. Do the same for the rest of the digits.
5. After the desired number is set, close the cover and reset the counter again by pushing the reset button.



DIMENSIONS



Type (I)
Top-Going Rotation



Type (II)
Top-Coming Rotation