

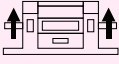
EP SERIES

MECHANICAL PRESET COUNTER



- REVOLUTION TYPE
- 5 DIGITS DISPLAY, 1 LEVEL PRESET
- DOUBLE SIDED INPUT SHAFT
- BUILT-IN MICROSWTICH
- EASY PRESETTING
- PUSH BUTTON RESET

MODEL SELECTION

TYPE	DIGITS	
		TYPE I Top Going
REVOLUTION (1 COUNT /rev)	5	EP - 15 (I)

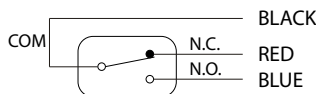
SPECIFICATIONS

Display	Count : 4.3 x 2.5mm (White on Black Background) / Preset : 3.0 x 1.6mm (Yellow on Black Background)
Preset Range	1 - 99999
Input/Count Method	Shaft rotation
Starting Torque	0.010N m (102gf-cm)
Count Speed	2000 revolution / min. max.
Output	Microswitch - Type 1C (AC250V 10A max.)
Reset	Push Button
Operating Temperature	-5°C - +40°C (Non-Freezing)
Operating Humidity	85%RH maximum (Non-Condensing)

WIRING

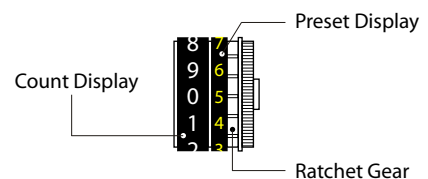
This counter has a built-in Microswitch. The leadwires of these can be seen at the back side of the counter.

The below diagram shows the corresponding microswitch connection with respect to the leadwire colors.



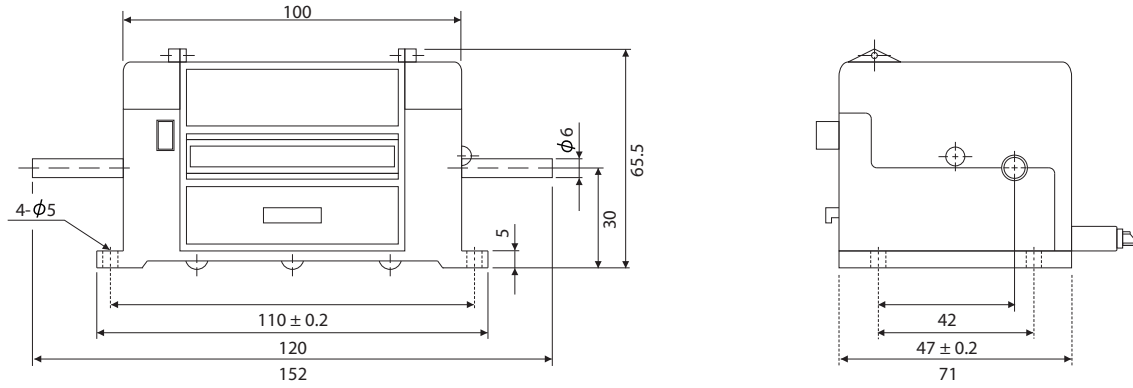
SETTING THE PRESET VALUE

1. Reset the counter by pushing the reset button. Make sure that the Count Display (White on Black background) is positioned to all "0".
2. Lift the cover of the counter.
3. To set the preset value, use the included plastic lever to move the Ratchet Gear by sliding it upward or downward.
4. The desired preset value, as displayed by the Preset Display, of the particular digit being set should be aligned with the "0" of the Count Display. See diagram below.
Do the same for the rest of the digits.
5. After the desired number is set, close the cover and reset the counter again by pushing the reset button.



DIMENSIONS

EP-15



This catalog was last revised Jun. 10, 2013.
*Subject to change without prior notice.
All Rights Reserved, Copyright © 2013, LINE SEIKI CO., LTD.



LINE SEIKI CO., LTD.

Address : 37-7, Chuo-Cho, 2-Chome, Meguro-ku
Tokyo 152-0001 JAPAN
Contacts : Tel: +81-3-3716-5151 Fax: +81-3-3710-4552
E-mail: webtrade@line.co.jp
URL : <http://www.lineseiki.com>