

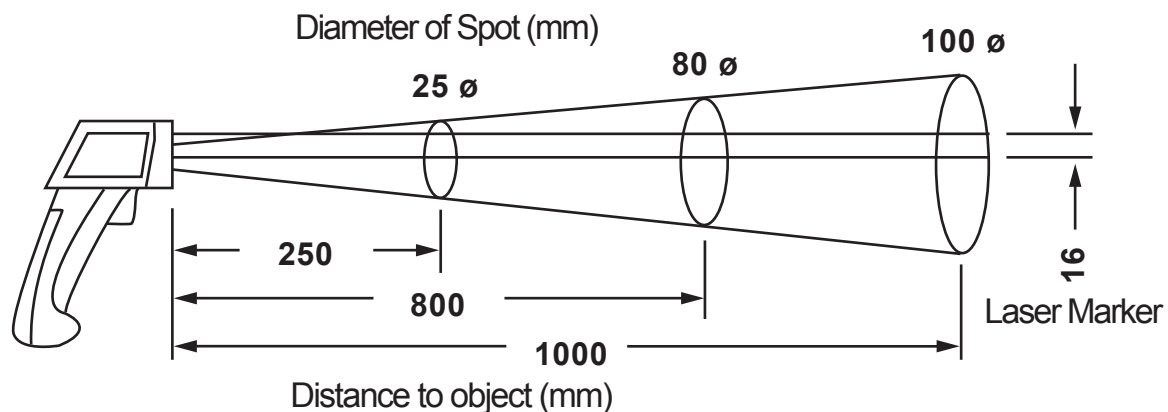
# Infrared Thermometer

## TC-6000

Simple and easy operation,  $-30 \sim 550^{\circ}\text{C}$  range temperature measurement.  
Handy gun type with laser marking function.  
EL backlight function.



General Specifications	
Measuring Range	$-30 \sim +550^{\circ}\text{C}$
Resolution	$0.5^{\circ}\text{C}/1^{\circ}\text{C}$ Automatic Change
Accuracy	larger one $\pm 2\%$ rdg or $\pm 3^{\circ}\text{C}$
Sampling Time	4 times/sec
Emittance	0.95 fix
Measuring Area Size	$\phi 100\text{mm}$ at 1,000mm
Ambient Range	$0 \sim +50^{\circ}\text{C}$ , under 70%RH
Storage Ambient Range	$-20 \sim +60^{\circ}\text{C}$ , under 80%RH
Display	3.5 digit LCD display
Battery	9V 006P
Dimensions/Weight	148(W) x 105(H) x 42(D)mm, about 157g
Accessories	One battery 006P, Instruction Manual, Plastic cover



### LINE SEIKI, CO. LTD

37-7, CHUO-CHO 2-CHOME, MEGURO-KU, TOKYO, 152-0001 JAPAN

Tel : +81-3-3716-5151 Fax : +81-3-3710-4552

E-mail : sales@line.co.jp

URL : <http://www.line.co.jp/english/>