

# SR-4

## DIRECT DRIVE MECHANICAL COUNTER

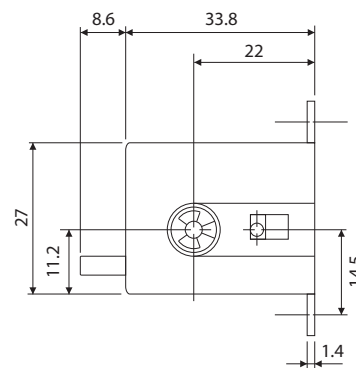
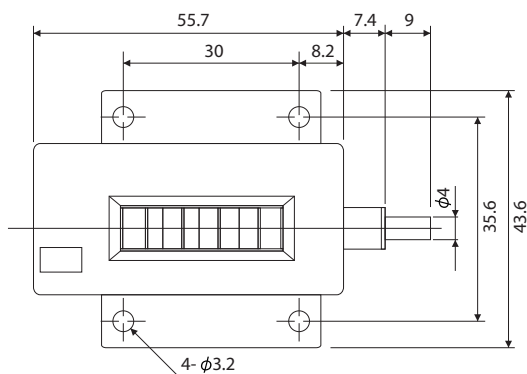


- **DIRECT DRIVE TYPE**  
(1 counts per 1/10 shaft revolution)
- **4 DIGITS DISPLAY**
- **PUSH BUTTON RESET**
- **MINIATURE SIZE**

### ■ SPECIFICATIONS

Display	4 digits, 4.3 x 2.8mm (White on Black Background)
Input/Count Method	right side shaft rotation
Shaft Rotation	Top - Going (Clockwise)
Starting Torque	0.004N m (41gf-cm)
Count Speed	200 revolution/minute
Reset	Pushbutton
Weight	60 grams
Operating Temperature	-5°C - +40°C (Non-Freezing)
Operating Humidity	85%RH maximum (Non-Condensing)

### ■ DIMENSIONS



This catalog was last revised June. 10, 2013.  
 \*Subject to change without prior notice.  
 All Rights Reserved, Copyright © 2013, LINE SEIKI CO., LTD.



## LINE SEIKI CO., LTD.

Address : 37-7, Chuo-Cho, 2-Chome, Meguro-ku  
 Tokyo 152-0001 JAPAN  
 Contacts : Tel: +81-3-3716-5151 Fax: +81-3-3710-4552  
 E-mail: [webtrade@line.co.jp](mailto:webtrade@line.co.jp)  
 URL : <http://www.lineseiki.com>