

CT1 SERIES

Length Sensor

CT1 (Switch contact output)

CT1-A (Photoelectric sensor 1 output)

CT1-R (Photoelectric sensor 2 outputs bidirectional type)



CE RoHS

This device sends out a pulse signal for a meter, 0.1 meter (10 centimeter), 0.01 meter (1 centimeter), or 0.001 meter (1 millimeter) when its two measuring wheel are put on running materials such as cloth, paper, belt, metal sheet or plastic film, etc., or when the wheels are put on a roller rotating synchronously with a running material. The linear measurement can be registered on an electric or electronic counter used with this device.

FEATURES :

This device can be installed at a most suitable place remote from the registering counter. With a preset counter, this device can control accurate cut-to-length or repetitive operations. As this device makes pulses on either rotation, it can be used to totalize the volume of bidirectional movements.

MODEL

Models	Sensor	Unit	Speed	Weight	Torque	Proper Counter
CT1-3:1	Microswitch	1m [yard]	240meter [yard]/minute	700g [25oz.]	0.015N m (153gf-cm) [2.12ozf-in]	Electronic Counter Electromagnetic Counter
CT1-3:10		0.1m [yard]	24meter [yard]/minute	710g [25oz.]		
CT1-3:1A	Photoelectric Sensor, 1 non-contact output	1m [yard]	700meter [yard]/minute	730g [26oz.]		Electronic Counter
CT1-3:10A		0.1m [yard]	500meter [yard]/minute	730g [26oz.]		
CT1-3:100A		0.01m [yard]	250meter [yard]/minute	740g [26oz.]		
CT1-3:1000A		0.001m [yard]	100meter [yard]/minute	790g [28oz.]		
CT1-3:1R	Photoelectric Sensor, 2 non-contact outputs (90° Quadrature Output)	1m [yard]	700meter [yard]/minute	740g [26oz.]		Bidirectional Electronic Counter
CT1-3:10R		0.1m [yard]	500meter [yard]/minute	740g [26oz.]		
CT1-3:100R		0.01m [yard]	250meter [yard]/minute	750g [26oz.]		
CT1-3:1000R		0.001m [yard]	100meter [yard]/minute	780g [28oz.]		

* Factory-installed option. : Open collector output is available in 1 and 2 non-contact outputs models. "C" should be added to the model number. (Ex.) CT1-3:10AC

SPECIFICATIONS

Models	Output	Power source	Current consumption	Output impedance	Maximum load current
CT1-3:1,CT1-3:10	1 Output	Microswitch Contact output, Capacity : AC250V • 5A, DC125V 0.5A (Load)			
CT1-3:1A,CT1-3:10A,CT1-3:100A	1 Output	DC5 - 24V ± 10%	35mA	3.9KΩ	100mA
CT1-3:1000A	1 Output	DC5 - 12V ± 10%	20mA	2KΩ	20mA
CT1-3:1R,CT1-3:10R,CT1-3:100R	2 Outputs(90° Quadrature)	DC5 - 24V ± 10%	70mA	3.9KΩ	100mA
CT1-3:1000R	2 Outputs(90° Quadrature)	DC5 - 12V ± 10%	40mA	2KΩ	20mA
Ambient temp. : Operating	-10 - +50°C [14 - 122°F] (Should be not Frozen)		Ambient Humid. : Operating	35 - 85% (Non-Condensing)	
Compliance	CE, RoHS				

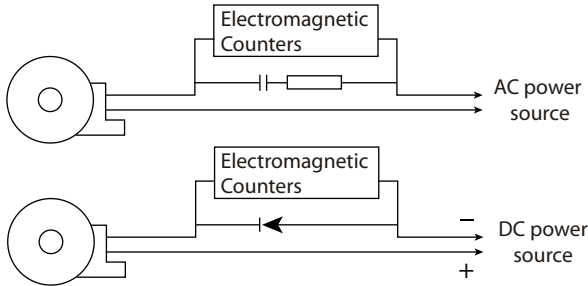
ACCESSORY

Model : CT1	Measuring wheel for meter x 2	2 pieces of measuring wheel for meter are equipped as standard accessories. Instead of those, 2 pieces of measuring wheel for yard are available. Please order type of measuring wheel.
Model : CT1-A	Measuring wheel for meter x 2, 3P connector x 1	
Model : CT1-R	Measuring wheel for meter x 2, 4P connector x 1	

Measuring wheel for meter :Diameter 106.1mm (Circumstance 1/3 meter),Surface material is Thermoplastic Rubber.
Measuring wheel for yard :Diameter 97.0mm (Circumstance 1/3 yard),Surface material is Thermoplastic Rubber.

CONNECTION

Model : CT1



It is recommendable to use such components as diode, CR etc., for the protection of contact in the case of connection with such inductive load as electromagnetic counter.

Model : CT1-A (3P connector)

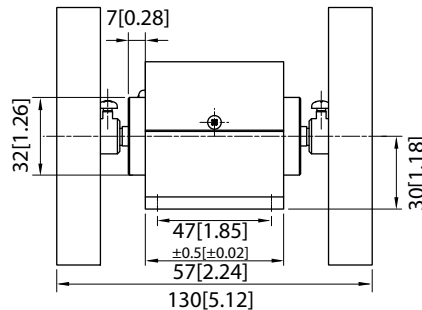
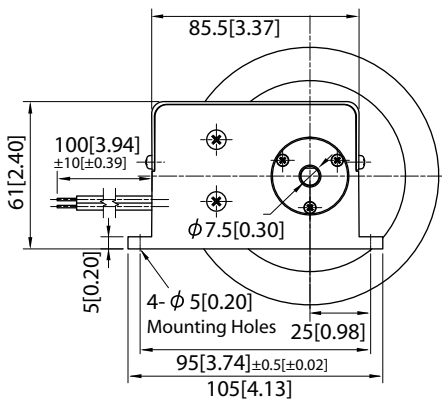
Terminal numbers in generator's connector		Terminal numbers in counter			
		MD-144	G48 E48	G60 G62 E60	G10 G11
A	Output	4	1	1	1
B	GND	3	4	4	4
C	DC power source	2	3	3	3

Model : CT1-R (4P connector)

Terminal numbers in generator's connector		Terminal numbers in counter			
		MDR-166	G48 E48	G60 G62 E60	G10 G11
A	DC power source	3	3	3	3
B	Output A	4	1	1	1
C	GND	6	4	4	4
D	Output B	5	2	2	2

DIMENSIONS : mm [inch]

Model : CT1

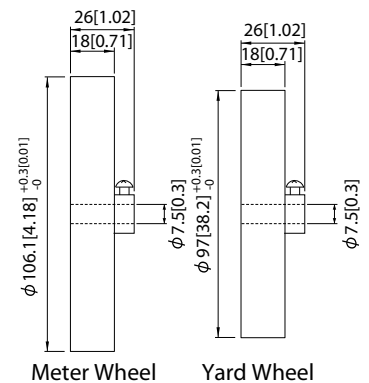
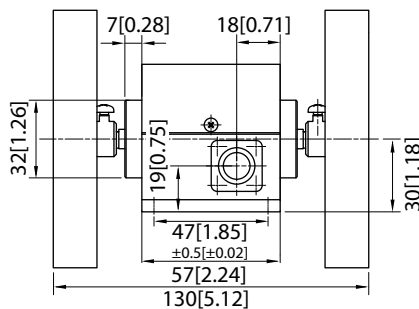
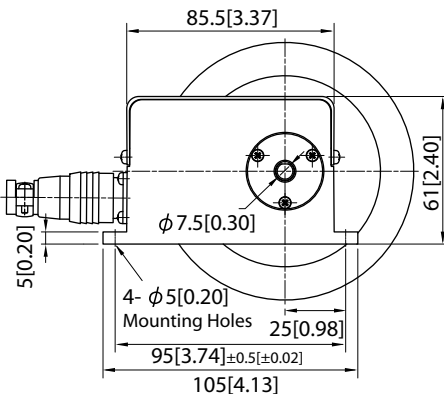


Wheel

Rubber pulleys are subject to slip for wear in the long usage. It will cause measuring discrepancies. Please check the pulleys sometimes and exchange to new ones.

	Meter Wheel	Yard Wheel
UNIT OF MEASURE	Meters	Yard
MODEL	MRM096	MRM097
TYPE OF SURFACE	Plain	
MATERIAL OF SURFACE	Thermoplastic Rubber	

Model : CT1-A CT1-R



This catalog was last revised May.26,2015.

*Subject to change without prior notice.

All Rights Reserved, Copyright © 2015, LINE SEIKI CO., LTD.

LINE SEIKI CO., LTD

37-7, Chuo-Cho, 2-Chome, Meguro-ku
Tokyo, JAPAN 152-0001

TEL: +81-3-37165151 FAX: +81-3-37104552

E-MAIL: webtrade@line.co.jp

URL: <http://www.line-seiki.com>